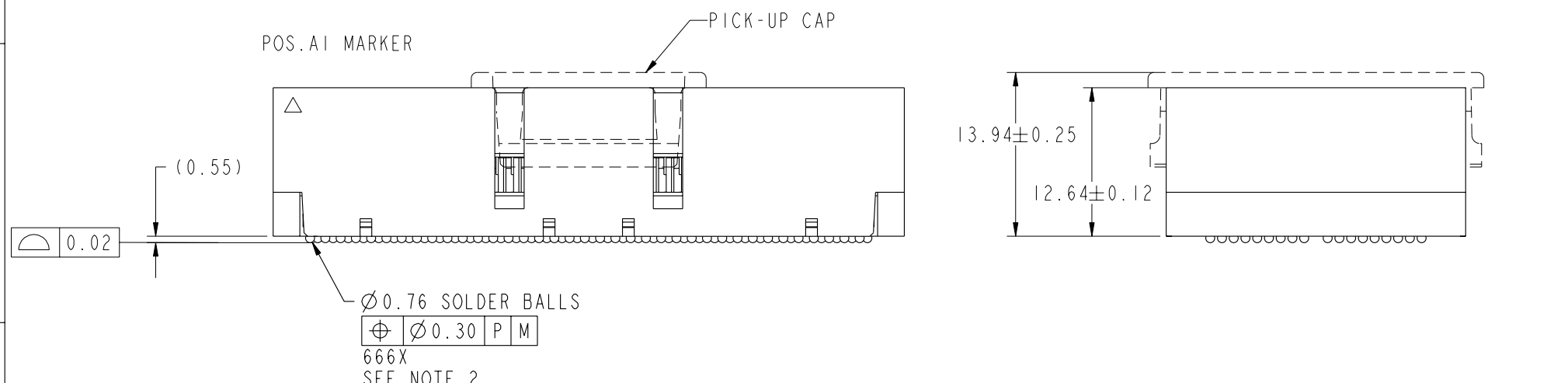
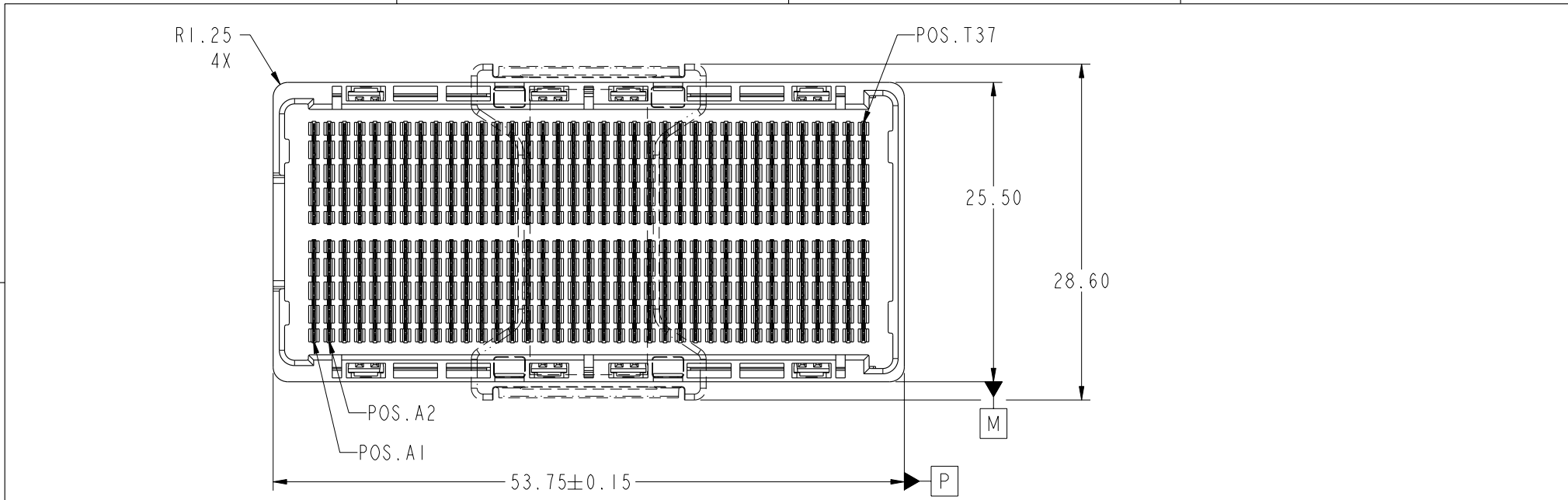




Copyright FCI.



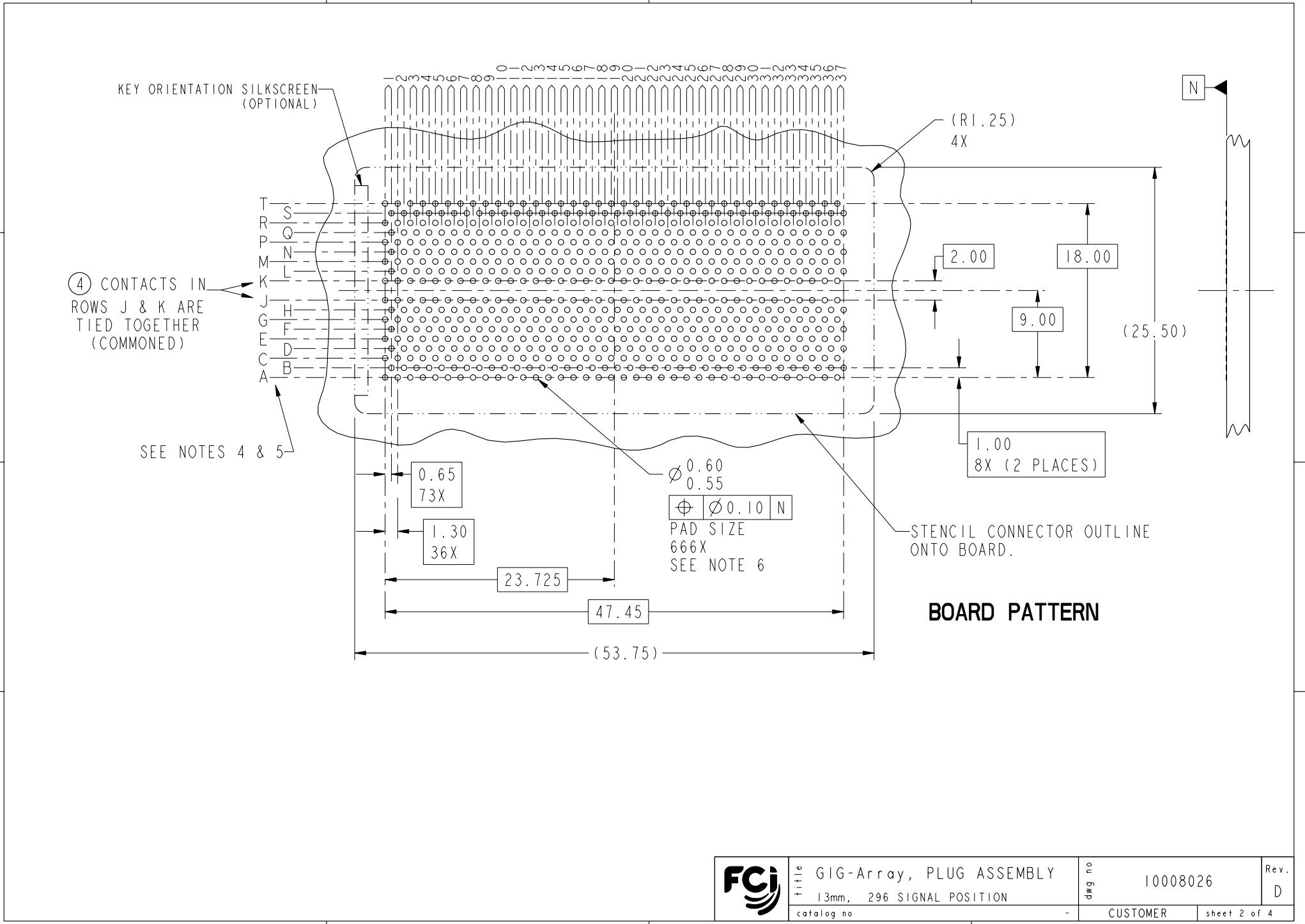
rev	ecn no	dr	date
A	V05-0062	TAB	2005/01/19
B	V05-0052	VS	2005/10/14
C	V06-0558	LP	2006/06/12
D	V07-0440	LP	2007-07-05
-	-	-	-
-	-	-	-
-	-	-	-

www.fciconnect.com		surface 3.2 ASME Y14.5	tolerance std -	projection mm
TOLERANCES UNLESS OTHERWISE SPECIFIED		ANGULAR	LINEAR	mm
Dr	R. JOHNSON	05/04/02	0.X ±.30	size A4
Eng	D. JOHNESECU	05/04/02	0.XX ±.10	Scale 1:1
Chr	D. JOHNESECU	05/04/02	0.XXX ±.050	ECN V07-0440
Appr	D. JOHNESECU	05/04/02	Product family GIG-Array	Spec ref -
FCI		GIG-Array, PLUG ASSEMBLY		dwg no 10008026
		13mm, 296 SIGNAL POSITION		Rev. D
catalog no		CUSTOMER		sheet 1 of 4

REV F - 2006-04-17



Copyright FCI.



A
B
C
D

A
B
C
D

	TITLE GIG-Array, PLUG ASSEMBLY 13mm, 296 SIGNAL POSITION	dwg no 10008026	Rev. D
	catalog no -	CUSTOMER	sheet 2 of 4

1

2

3

4

A

B

C

D

A

B

C

D

D1
SIGNAL/GROUND

C1
GROUND

B1
SIGNAL/GROUND

A1
GROUND

A2
GROUND

A3
GROUND

B2-B3
DIFFERENTIAL PAIR
TYPICAL

PLUG INTERFACE DESCRIPTION



FCI <small>FCI</small>	title GIG-Array, PLUG ASSEMBLY 13mm, 296 SIGNAL POSITION	dwg no 10008026	Rev. D
	catalog no -	CUSTOMER	sheet 3 of 4

REV F - 2006-04-17

PDM: Rev:D

STATUS: Released

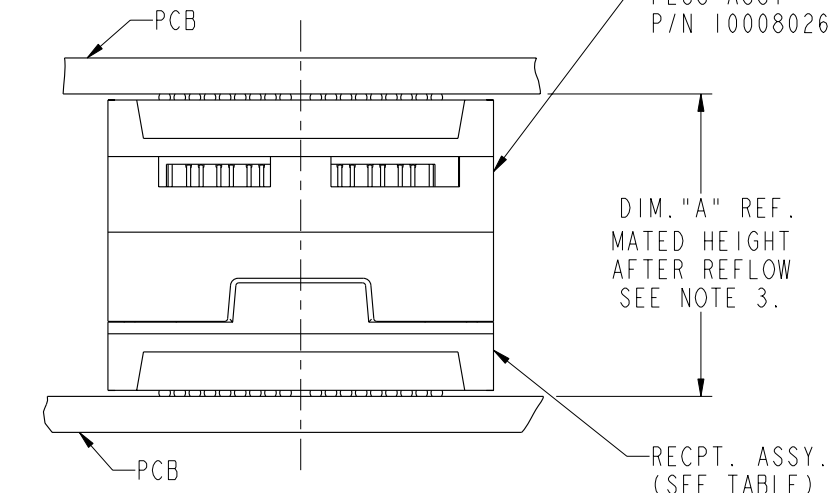
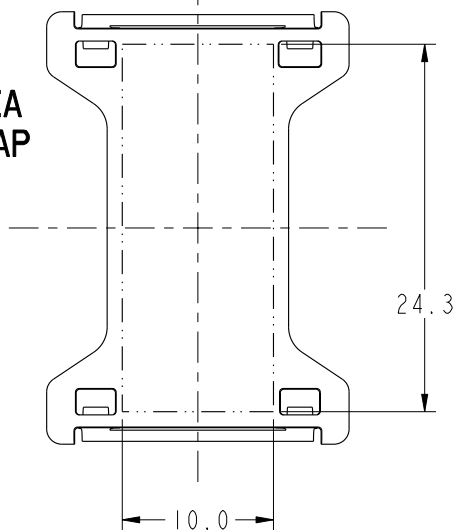
4 Printed: Dec 03, 2007



Copyright FCI.

PRODUCT NUMBER	SOLDER BALLS
10008026-001	SnPb
10008026-001LF	SnAgCu LEADFREE (7)(8)

FLAT AREA PICK-UP CAP



END VIEW OF MATED CONNECTORS

DIM. "A"	RECPT. ASSY. P/N
18	55701
23	10032376
28	55733

NOT TOOLED

NOTES:

- ① MATERIAL:
HOUSING: LCP
CONTACT: COPPER ALLOY
PLATING (CONTACT): Au OVER Ni.
UL RATING: 94 V-0
SOLDER BALL: (SEE TABLE) EUTECTIC SnPb OR LEADFREE 95.5 Sn/4Ag/0.5Cu
- ② SOLDER BALLS WILL NOT BE PERFECT SPHERICAL SHAPE DUE TO REFLOW ATTACHMENT.
- ③ MATED HEIGHT EFFECTED BY CUSTOMERS' PCB PAD SIZE, PLATING, SOLDER REFLOW PROFILE & SOLDER PASTE.
- ④ CONTACTS IN ROWS A,C,E,G,J,K,M,P,R AND T ARE SINGLE BEAM CONTACTS, TYPICALLY USED AS GROUND PINS.
(NOTE: CONTACTS IN ROWS J & K ARE TIED TOGETHER [COMMONED])
- ⑤ CONTACTS IN ROWS B,D,F,H,L,N,Q AND S ARE DUAL BEAM CONTACTS, TYPICALLY USED AS SIGNAL PINS.

NOTES CONTINUED

- ⑥ SPECIFIED POSITIONAL TOLERANCE DEFINES PAD TO PAD LOCATION WITHIN LAND PATTERN. POSITIONAL TOLERANCE OF LAND PATTERN TO FUDICIAL MARKS OR PCB DATUMS SHALL BE DEFINED BY CUSTOMER. FOR RECOMMENDED PRODUCT APPLICATION AND PCB DESIGN DETAILS, SEE DOC. NO. GS-20-016.
- ⑦ FOR PROPER APPLICATION FOLLOW FCI APPLICATION SPECIFICATION GS-20-033 LEADFREE SOLDER BALLS WILL NOT SOLDER PROPERLY IN A LEADED SOLDER PROCESS DUE TO A HIGHER REFLOW TEMPERATURE, LEADFREE PRODUCT IS THEREFORE NOT BACKWARDS COMPATIBLE WITH LEADED OR SOME SOLDERING APPLICATIONS. REFERENCE FCI APPLICATION SPECIFICATION.
- ⑧ THIS PRODUCT MEETS THE EUROPEAN UNION DIRECTIVES AND OTHER COUNTRY REGULATIONS AS DESCRIBED IN GS-22-008. PRODUCT MEETING WITH THES DIRECTIVE IS IDENTIFIED IN THE LOT CODE NUMBER MARKED ON EACH PART BY HAVING AN "X" IN THE SEVENTH CHARACTER POSITION.



Copyright FCI.

	GIG-Array, PLUG ASSEMBLY 13mm, 296 SIGNAL POSITION	dwg no 10008026	Rev. D
	catalog no -	CUSTOMER	sheet 4 of 4

REV F - 2006-04-17